

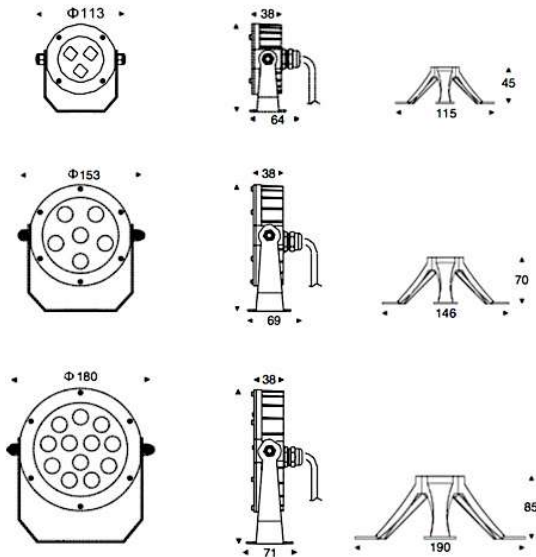


NEPTUNE 12

Stainless Steel LED Underwater Spot Light

Our Neptune range is a 316 stainless steel LED adjustable luminaire available in single colour or RGB colour change versions and designed for underwater illumination.

It is a more powerful option than our Ceto product and comes in three different sizes. The Neptune range features a two-way adjustable bracket allowing for many design and installation possibilities. Applications would include: water landscaping, swimming pools, ponds, fountain, lakes, large aquariums, recreational facilities, water parks etc.



- Front Cover and Housing: Stainless steel 316
- Light Source: Osram or Cree High Powered LED
- Glass: Step tempered glass T=5mm
- Cable gland: IP68 PG-11 copper and nickel coated
- Lens: Optical lens, efficiency $\geq 85\%$
- PCB: Excellent heat conductive aluminum, coefficient of heat conductivity $\geq 2.0w /mk$
- Application Environment: Temperature of water between $-20^{\circ}C \sim 40^{\circ}C$, less than 1 meter depth

| PART NUMBER | LIGHT SOURCE | LENS ANGLE | TYPICAL OPERATING CURRENT (MA) | POWER (W) | TYPICAL LUMINANCE (LM) | IK RATING |
|--------------|--------------------------|---------------|--------------------------------|-----------|------------------------|-----------|
| LW-NEP12-CW | 12 x 2W Cool White | 15 Degrees | 1040 | 25 | 1210 | IK06 |
| LW-NEP12-WW | 12 x 2W Warm White | 15 Degrees | 1040 | 25 | 950 | IK06 |
| LW-NEP12-RGB | 12 x 2W 3- in-1 RGB | 25 Degree | R=400 G=500 B=500 | 33.6 | 600 | IK06 |

Single color: Warm White (3000~3500K), Cool White (6000~6500K). Other colours available upon request.

Due to conditions of production, photometric data can vary from production batch to production batch within the EU directive.