

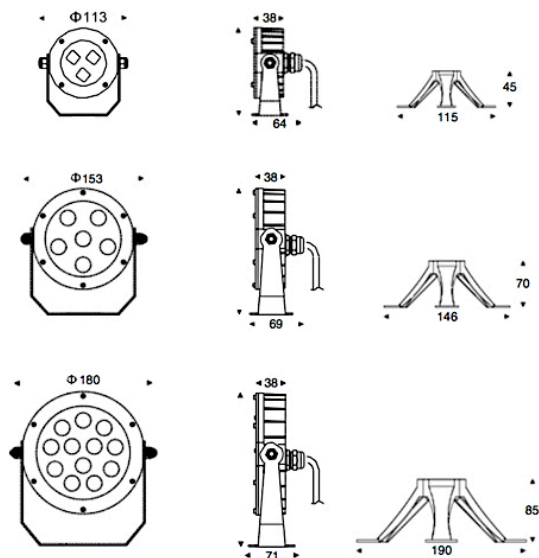


NEPTUNE 6

Stainless Steel LED Underwater Spot Light

Our Neptune range is a 316 stainless steel LED adjustable luminaire available in single colour or RGB colour change versions and designed for underwater illumination.

It is a more powerful option than our Ceto product and comes in three different sizes. The Neptune range features a two-way adjustable bracket allowing for many design and installation possibilities. Applications would include: water landscaping, swimming pools, ponds, fountain, lakes, large aquariums, recreational facilities, water parks etc.



- Front Cover and Housing: Stainless steel 316
- Light Source: Osram or Cree High Powered LED
- Glass: Step tempered glass T=5mm
- Cable gland: IP68 PG-11 copper and nickel coated
- Lens: Optical lens, efficiency $\geq 85\%$
- PCB: Excellent heat conductive aluminum, coefficient of heat conductivity $\geq 2.0w /mk$
- Application Environment: Temperature of water between $-20^{\circ}C \sim 40^{\circ}C$, less than 1 meter depth

PART NUMBER	LIGHT SOURCE	LENS ANGLE	TYPICAL OPERATING CURRENT (MA)	POWER (W)	TYPICAL LUMINANCE (LM)	IK RATING
LW-NEP6-CW	6 x 2W Cool White	15 Degrees	600	14.4	745	IK06
LW-NEP6-WW	6 x 2W Warm White	15 Degrees	600	14.4	576	IK06
LW-NEP6-RGB	6 x 2W 3- in-1 RGB	25 Degree	R=200 G=260 B=260	17.3	300	IK06

Single color: Warm White (3000~3500K), Cool White (6000~6500K). Other colours available upon request.

Due to conditions of production, photometric data can vary from production batch to production batch within the EU directive.